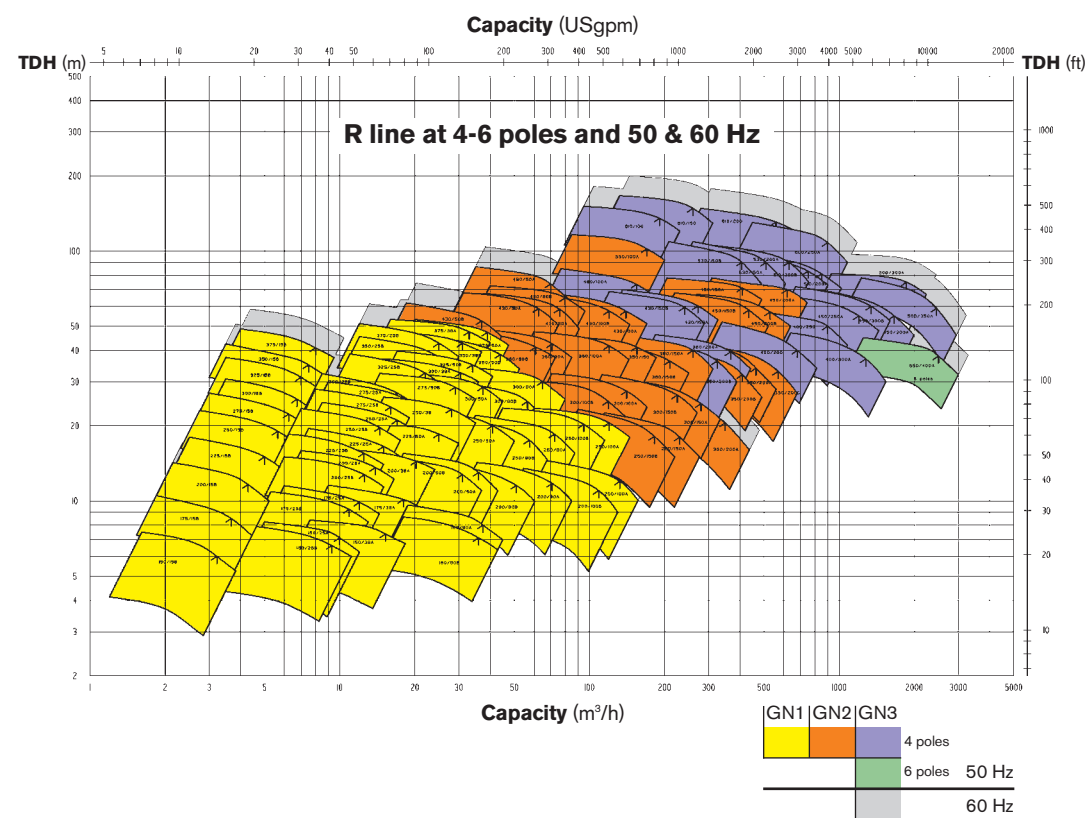
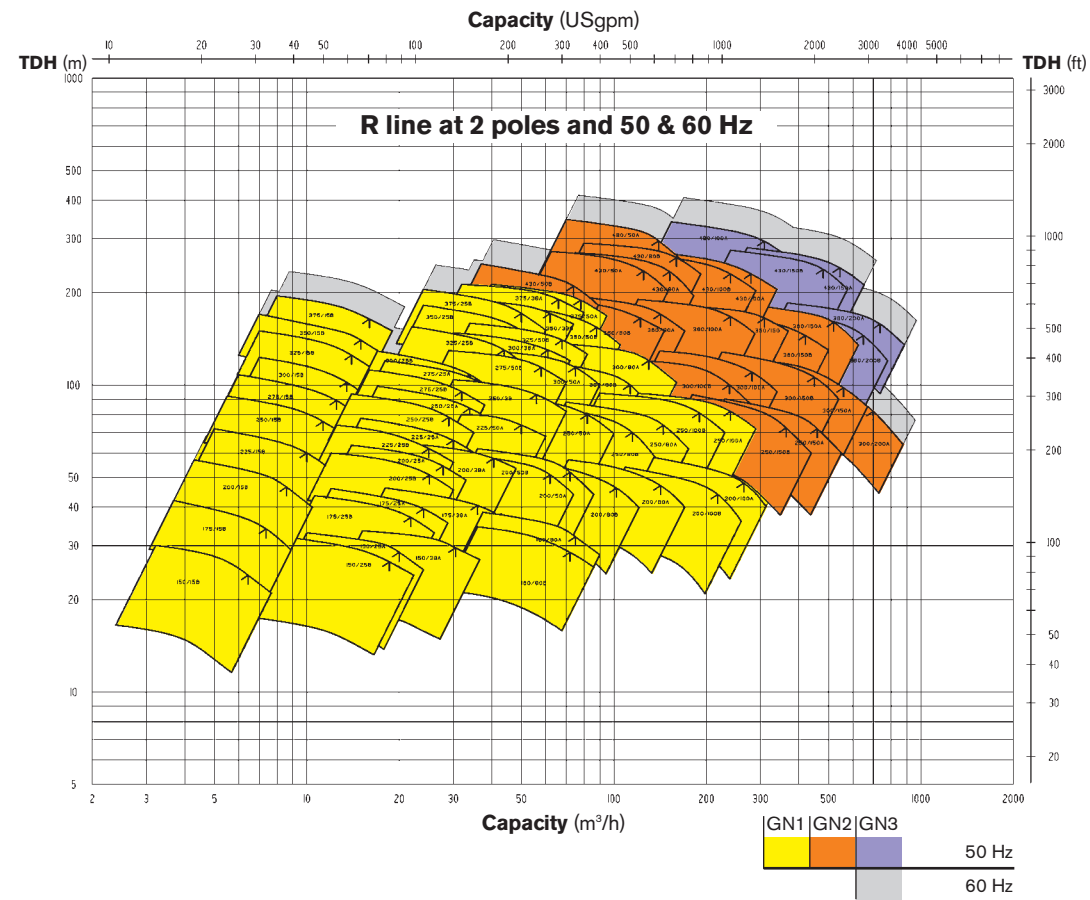


Coverage chart



A century of experience

Since the foundation of the company in 1897, Pompe Gabbioneta has been engaged in design and manufacture of high quality centrifugal pumps. The products and the markets served progressively changed from water to chemical industry and finally, in the last thirty years, to API 610 heavy duty pumps for refinery and petrochemical industries. The product development is based on a thorough interchange of marketing and operating experience within the company and in close cooperation with project and plant engineers. The manufacturing is made in a factory equipped with several modern cnc machines and machine tools, special note has to be given to the machining centers where pump casings can be machined completely with only two settings. In house facilities are designed to meet the performance and NPSH testing requirements of all pumps manufactured in the company in full compliance with API 610 Standards. A quality assurance system certified in accordance with ISO 9001 is granting the achievement of highest quality for manufactured pumps.



R LINE



Registered Office: Viale Gramsci 79
Headquarters: Viale Casiraghi 68
20099 Sesto San Giovanni MI Italy
Telephone +39 02.241001 r.a.
Telefax +39 02.2424550

e-mail: pompe.gabbioneta@pompegabbioneta.com
http://www.pompegabbioneta.com
R.I. MI n° 65430/1999 REA MI n° 1581455
Codice Fiscale 12735020153
Partita IVA - VAT IT 02895700967



ICIM
SQ1 Cert n° 0194
UNI EN ISO 9001/94

Printed 01/2005 Rev. 1



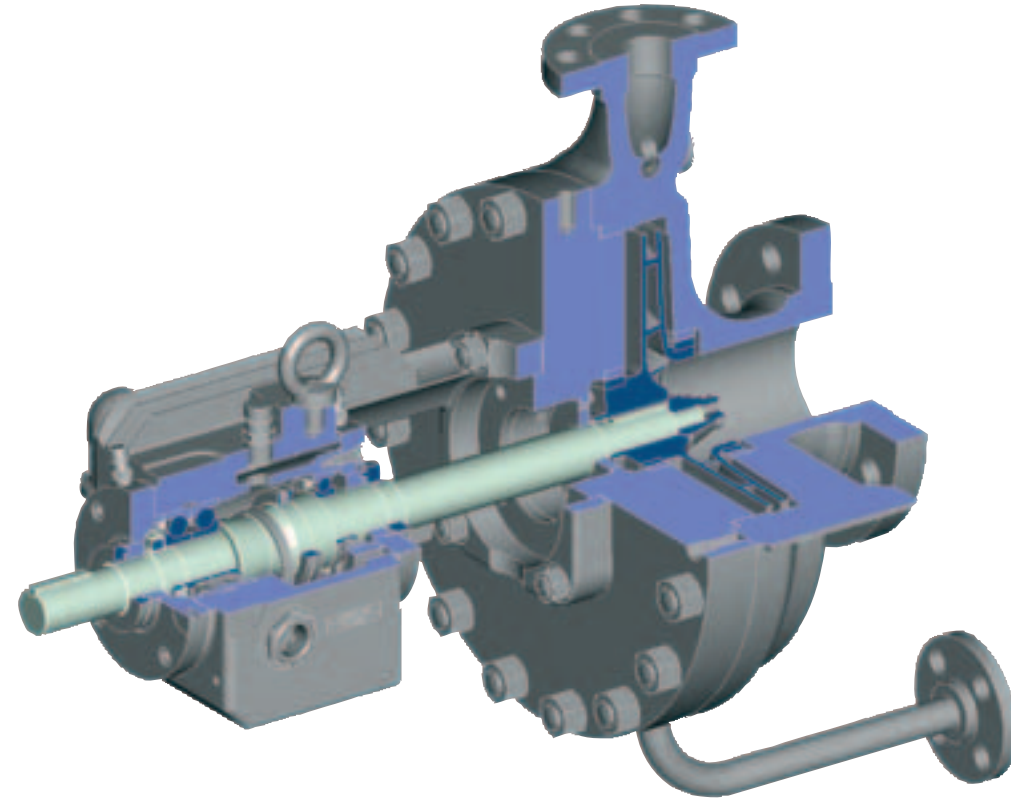
POMPE
GABBIONETA

General information

The R line heavy duty process pumps are horizontal, radially split, centerline supported, single entry overhung impeller, designed in a back pull-out configuration according to latest edition of API 610 Std.

Main design features are:

- Back pull-out construction for easy maintenance procedures.
- Choice of multiple impellers for optimum efficiency over a wide operating range. Coverage includes more than 100 different hydraulics.
- Twin volute configuration to minimise radial loads and shaft deflections (over 2" discharge nozzle size).
- Centerline feet mounting for high temperature stability.
- Bearing bracket geometry optimised in order to definitely eliminate water cooling system, even for high temperature applications up to 400°C.
- Fan cooling and/or finned bearing bracket.
- Casing, bearing frame and baseplate stiff enough to assure minimum shaft deflections under heavy nozzle load conditions (extended life for seal and bearing).
- Wear rings and balance holes optimised for an extended life under the most adverse suction conditions (duplex angular contact or roller thrust bearings applicable).
- Seals and sealing systems in accordance to API 682 Std.
- Baseplate overall dimensions according to API 610 recommendation.



Main pumps applications refer to heavy duties in:

- refineries
- petrochemical and chemical plants
- feedwater and power plant auxiliaries

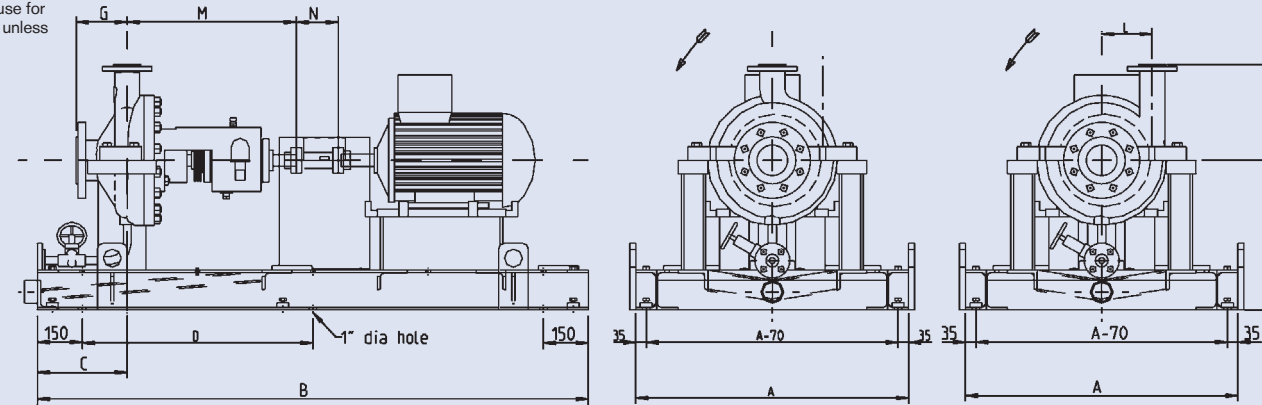
Options

The following pump executions can be provided:

- Casing and cover with full cooling or heating jackets.
- Open impellers suitable for high viscosity liquids or where significant quantities of solid are present.
- Inducer to reduce NPSH requirements.
- Stuffing box cooling water or heating jacket, easily accessible for inspection and mechanical cleaning.
- Standard or special bearing isolators at either bearing housing ends.
- Oil mist lubrication system (pure or purge).
- Water cooling for bearing bracket.

R Line overall dimensions

General notes
All dimensions are in mm. Do not use for construction unless certified.



| Pump type | nozzle inches | C | G | H | I | L | M | N | max. motor size | Api base number | A | B | D | n° of bolts per side |
|---------------|---------------|-----|-----|-----|-----|-----|-----|-----|-----------------|-----------------|-----|---------------------|-----------------|----------------------|
| R 150/15 GN1 | 3"2" | 300 | 150 | 500 | 250 | 0 | 575 | 140 | 180 | 1.5/1 | 755 | 1840/1530 | 770/615 | 3/3 |
| R 150/25 GN1 | 3"2" | 300 | 150 | 500 | 250 | 0 | 575 | 140 | 180 | 1.5/1 | 755 | 1840/1530 | 770/615 | 3/3 |
| R 150/38 GN1 | 3"2" | 300 | 150 | 500 | 250 | 0 | 575 | 140 | 180 | 1.5/1 | 755 | 1840/1530 | 770/615 | 3/3 |
| R 160/80 GN1 | 4"3" | 300 | 170 | 500 | 220 | 120 | 575 | 140 | 180 | 1.5/1 | 755 | 1840/1530 | 770/615 | 3/3 |
| R 175/15 GN1 | 3"2" | 300 | 150 | 500 | 250 | 0 | 575 | 140 | 180 | 1.5/1 | 755 | 1840/1530 | 770/615 | 3/3 |
| R 175/25 GN1 | 3"2" | 300 | 150 | 500 | 250 | 0 | 575 | 140 | 180 | 1.5/1 | 755 | 1840/1530 | 770/615 | 3/3 |
| R 175/38 GN1 | 3"2" | 300 | 150 | 500 | 250 | 0 | 575 | 140 | 180 | 1.5/1 | 755 | 1840/1530 | 770/615 | 3/3 |
| R 200/15 GN1 | 3"2" | 300 | 150 | 500 | 260 | 0 | 575 | 140 | 180 | 1.5/1 | 755 | 1840/1530 | 770/615 | 3/3 |
| R 200/25 GN1 | 3"2" | 300 | 150 | 500 | 260 | 0 | 575 | 140 | 180 | 1.5/1 | 755 | 1840/1530 | 770/615 | 3/3 |
| R 200/38 GN1 | 3"2" | 300 | 150 | 500 | 260 | 0 | 575 | 140 | 180 | 1.5/1 | 755 | 1840/1530 | 770/615 | 3/3 |
| R 200/50 GN1 | 4"2" | 300 | 170 | 500 | 225 | 125 | 575 | 140 | 280 | 4/3.5/3/2.5 | 910 | 2445/2145/1840/1530 | 715/615/770/615 | 4/4/3/3 |
| R 200/80 GN1 | 6"3" | 300 | 210 | 500 | 240 | 147 | 575 | 140 | 280 | 4/3.5/3/2.5 | 910 | 2445/2145/1840/1530 | 715/615/770/615 | 4/4/3/3 |
| R 200/100 GN1 | 6"4" | 300 | 210 | 500 | 285 | 160 | 575 | 140 | 280 | 4/3.5/3/2.5 | 910 | 2445/2145/1840/1530 | 715/615/770/615 | 4/4/3/3 |
| R 225/15 GN1 | 3"2" | 300 | 150 | 500 | 260 | 0 | 575 | 140 | 180 | 1.5/1 | 755 | 1840/1530 | 770/615 | 3/3 |
| R 225/25 GN1 | 3"2" | 300 | 150 | 500 | 260 | 0 | 575 | 140 | 180 | 1.5/1 | 755 | 1840/1530 | 770/615 | 3/3 |
| R 225/50 GN1 | 3"2" | 300 | 150 | 500 | 260 | 0 | 575 | 140 | 180 | 1.5/1 | 755 | 1840/1530 | 770/615 | 3/3 |

| Pump type | nozzle inches | C | G | H | I | L | M | N | max. motor size | Api base number | A | B | D | n° of bolts per side |
|---------------|---------------|-----|-----|-----|-----|-----|-----|-----|-----------------|-----------------|------|---------------------|-----------------|----------------------|
| R 250/15 GN1 | 4"2" | 300 | 170 | 500 | 280 | 0 | 575 | 140 | 280 | 4/3.5/3/2.5 | 910 | 2445/2145/1840/1530 | 715/615/770/615 | 4/4/3/3 |
| R 250/25 GN1 | 4"2" | 300 | 170 | 500 | 280 | 0 | 575 | 140 | 280 | 4/3.5/3/2.5 | 910 | 2445/2145/1840/1530 | 715/615/770/615 | 4/4/3/3 |
| R 250/38 GN1 | 4"2" | 300 | 170 | 500 | 280 | 0 | 575 | 140 | 280 | 4/3.5/3/2.5 | 910 | 2445/2145/1840/1530 | 715/615/770/615 | 4/4/3/3 |
| R 250/50 GN1 | 4"2" | 300 | 170 | 500 | 255 | 145 | 575 | 140 | 280 | 4/3.5/3/2.5 | 910 | 2445/2145/1840/1530 | 715/615/770/615 | 4/4/3/3 |
| R 250/80 GN1 | 6"3" | 300 | 210 | 500 | 270 | 165 | 575 | 140 | 280 | 4/3.5/3/2.5 | 910 | 2445/2145/1840/1530 | 715/615/770/615 | 4/4/3/3 |
| R 250/100 GN1 | 6"4" | 300 | 210 | 550 | 285 | 180 | 575 | 140 | 315 | 4/3.5/3/2.5 | 910 | 2445/2145/1840/1530 | 715/615/770/615 | 4/4/3/3 |
| R 275/15 GN1 | 4"2" | 300 | 170 | 500 | 280 | 0 | 575 | 140 | 280 | 4/3.5/3/2.5 | 910 | 2445/2145/1840/1530 | 715/615/770/615 | 4/4/3/3 |
| R 275/25 GN1 | 4"2" | 300 | 170 | 500 | 280 | 0 | 575 | 140 | 280 | 4/3.5/3/2.5 | 910 | 2445/2145/1840/1530 | 715/615/770/615 | 4/4/3/3 |
| R 275/50 GN1 | 4"2" | 300 | 170 | 500 | 280 | 0 | 575 | 140 | 280 | 4/3.5/3/2.5 | 910 | 2445/2145/1840/1530 | 715/615/770/615 | 4/4/3/3 |
| R 300/15 GN1 | 4"2" | 300 | 170 | 550 | 320 | 0 | 575 | 140 | 280 | 4/3.5/3/2.5 | 910 | 2445/2145/1840/1530 | 715/615/770/615 | 4/4/3/3 |
| R 300/25 GN1 | 4"2" | 300 | 170 | 550 | 320 | 0 | 575 | 140 | 280 | 4/3.5/3/2.5 | 910 | 2445/2145/1840/1530 | 715/615/770/615 | 4/4/3/3 |
| R 300/38 GN1 | 4"2" | 300 | 170 | 550 | 320 | 0 | 575 | 140 | 280 | 4/3.5/3/2.5 | 910 | 2445/2145/1840/1530 | 715/615/770/615 | 4/4/3/3 |
| R 300/50 GN1 | 4"2" | 300 | 170 | 500 | 280 | 165 | 575 | 140 | 280 | 4/3.5/3/2.5 | 910 | 2445/2145/1840/1530 | 715/615/770/615 | 4/4/3/3 |
| R 300/80 GN1 | 6"3" | 300 | 210 | 550 | 295 | 185 | 575 | 140 | 315 | 4/3.5/3/2.5 | 910 | 2445/2145/1840/1530 | 715/615/770/615 | 4/4/3/3 |
| R 325/15 GN1 | 4"2" | 300 | 170 | 550 | 320 | 0 | 575 | 140 | 280 | 4/3.5/3/2.5 | 910 | 2445/2145/1840/1530 | 715/615/770/615 | 4/4/3/3 |
| R 325/25 GN1 | 4"2" | 300 | 170 | 550 | 320 | 0 | 575 | 140 | 280 | 4/3.5/3/2.5 | 910 | 2445/2145/1840/1530 | 715/615/770/615 | 4/4/3/3 |
| R 325/50 GN1 | 4"2" | 300 | 170 | 550 | 320 | 0 | 575 | 140 | 280 | 4/3.5/3/2.5 | 910 | 2445/2145/1840/1530 | 715/615/770/615 | 4/4/3/3 |
| R 350/15 GN1 | 4"2" | 300 | 170 | 570 | 350 | 0 | 575 | 140 | 315 | 4/3.5/3/2.5 | 910 | 2445/2145/1840/1530 | 715/615/770/615 | 4/4/3/3 |
| R 350/25 GN1 | 4"2" | 300 | 170 | 570 | 350 | 0 | 575 | 140 | 315 | 4/3.5/3/2.5 | 910 | 2445/2145/1840/1530 | 715/615/770/615 | 4/4/3/3 |
| R 350/38 GN1 | 4"2" | 300 | 170 | 570 | 350 | 0 | 575 | 140 | 315 | 4/3.5/3/2.5 | 910 | 2445/2145/1840/1530 | 715/615/770/615 | 4/4/3/3 |
| R 350/50 GN1 | 4"2" | 300 | 170 | 570 | 350 | 0 | 575 | 140 | 315 | 4/3.5/3/2.5 | 910 | 2445/2145/1840/1530 | 715/615/770/615 | 4/4/3/3 |
| R 375/15 GN1 | 4"2" | 300 | 170 | 570 | 350 | 0 | 575 | 140 | 315 | 4/3.5/3/2.5 | 910 | 2445/2145/1840/1530 | 715/615/770/615 | 4/4/3/3 |
| R 375/25 GN1 | 4"2" | 300 | 170 | 570 | 350 | 0 | 575 | 140 | 315 | 4/3.5/3/2.5 | 910 | 2445/2145/1840/1530 | 715/615/770/615 | 4/4/3/3 |
| R 375/38 GN1 | 4"2" | 300 | 170 | 570 | 350 | 0 | 575 | 140 | 315 | 4/3.5/3/2.5 | 910 | 2445/2145/1840/1530 | 715/615/770/615 | 4/4/3/3 |
| R 375/50 GN1 | 4"2" | 300 | 170 | 570 | 350 | 0 | 575 | 140 | 315 | 4/3.5/3/2.5 | 910 | 2445/2145/1840/1530 | 715/615/770/615 | 4/4/3/3 |
| R 250/150 GN2 | 8"6" | 300 | 250 | 620 | 335 | 200 | 740 | 200 | 315 | 6.5/6/5.5/5 | 1060 | 2760/2445/2145/1840 | 615/715/615/770 | 5/4/3/3 |
| R 300/100 GN2 | 6"4" | 300 | 210 | 620 | 310 | 200 | 740 | 200 | 315 | 4/3.5/3/2.5 | 910 | 2445/2145/1840/1530 | 715/615/770/615 | 4/4/3/3 |
| R 300/150 GN2 | 8"6" | 300 | 250 | 620 | 335 | 220 | 740 | 200 | 315 | 6.5/6/5.5/5 | 1060 | 2760/2445/2145/1840 | 615/715/615/770 | 5/4/3/3 |
| R 300/200 GN2 | 10"8" | 300 | 290 | 700 | 360 | 250 | 740 | 200 | 400 | 8/7.5/7 | 1240 | 2760/2445/2145 | 615/715/615 | 5/4/4 |
| R 350/150 GN2 | 8"6" | 400 | 210 | 700 | 300 | 215 | 740 | 200 | 315 | 6.5/6/5.5/5 | 1060 | 2760/2445/2145/1840 | 615/715/615/770 | 5/4/3/3 |
| R 350/200 GN2 | 10"8" | 400 | 260 | 700 | 350 | 260 | 740 | 200 | 400 | 8/7.5/7 | 1240 | 2760/2445/2145 | 615/715/615 | 5/4/4 |
| R 360/80 GN2 | 6"3" | 300 | 210 | 620 | 330 | 215 | 740 | 200 | 315 | 4/3.5/3/2.5 | 910 | 2445/2145/1840/1530 | 715/615/770/615 | 4/4/3/3 |
| R 360/100 GN2 | 6"4" | 300 | 210 | 620 | 345 | 225 | 740 | 200 | 315 | 6.5/6/5.5/5 | 1060 | 2760/2445/2145/1840 | 615/715/615/770 | 5/4/3/3 |
| R 360/150 GN2 | 8"6" | 300 | 210 | 700 | 370 | 240 | 740 | 200 | 400 | 8/7.5/7 | 1240 | 2760/2445/2145 | 615/715/615 | 5/4/4 |
| R 400/200 GN2 | 10"8" | 400 | 265 | 700 | 350 | 300 | 740 | 200 | 400 | 8/7.5/7 | 1240 | 2760/2445/2145 | 615/715/615 | 5/4/4 |
| R 400/250 GN2 | 12"10" | 400 | 270 | 700 | 400 | 300 | 740 | 200 | 400 | 8/7.5/7 | 1240 | 2760/2445/2145 | 615/715/615 | 5/4/4 |
| R 400/300 GN2 | 14"12" | 400 | 270 | 700 | 350 | 300 | 740 | 200 | 400 | 10/9.5/9 | 1390 | 2760/2445/2145 | 615/715/615 | 5/4/4 |
| R 430/50 GN2 | 4"2" | 300 | 170 | 620 | 350 | 230 | 740 | 200 | 315 | 6.5/6/5.5/5 | 1060 | 2760/2445/2145/1840 | 615/715/615/770 | 5/4/3/3 |
| R 430/80 GN2 | 6"3" | 300 | 210 | 620 | 365 | 245 | 740 | 200 | 315 | 6.5/6/5.5/5 | 1060 | 2760/2445/2145/1840 | 615/715/615/770 | 5/4/3/3 |
| R 430/100 GN2 | 6"4" | 300 | 210 | 700 | 380 | 255 | 740 | 200 | 400 | 8/7.5/7 | 1240 | 2760/2445/2145 | 615/715/615 | 5/4/4 |
| R 450/150 GN2 | 8"6" | 400 | 250 | 700 | 400 | 305 | 740 | 200 | 400 | 8/7.5/7 | 1240 | 2760/2445/2145 | 615/715/615 | 5/4/4 |
| R 450/200 GN2 | 10"8" | 400 | 300 | 700 | 400 | 270 | 740 | 200 | 400 | 10/9.5/9 | 1390 | 2760/2445/2145 | 615/715/615 | 5/4/4 |
| R 480/50 GN2 | 4"2" | 300 | 230 | 700 | 405 | 255 | 740 | 200 | 400 | 8/7.5/7 | 1240 | 2760/2445/2145 | 615/715/615 | 5/4/4 |
| R 550/100 GN2 | 6"4" | 300 | 230 | 700 | 420 | 260 | 740 | 200 | 400 | 8/7.5/7 | 1240 | 2760/2445/2145 | 615/715/615 | 5/4/4 |
| R 360/200 GN3 | 10"8" | 300 | 290 | 700 | 390 | 260 | 850 | 280 | 400 | 8/7.5/7 | 1240 | 2760/2445/2145 | 615/715/615 | 5/4/4 |
| R 430/150 GN3 | 8"6" | 300 | 250 | 700 | 405 | 270 | 850 | 280 | 400 | 8/7.5/7 | 1240 | 2760/2445/2145 | 615/715/615 | 5/4/4 |
| R 450/250 GN3 | 12"10" | 500 | 300 | 700 | 450 | 335 | 850 | 280 | 400 | 10/9.5/9 | 1390 | 2760/2445/2145 | 615/715/615 | 5/4/4 |
| R 450/300 GN3 | 14"12" | 500 | 270 | 700 | 450 | 350 | 850 | 280 | 400 | 10/9.5/9 | 1390 | 2760/2445/2145 | 615/715/615 | 5/4/4 |
| R 480/100 GN3 | 6"4" | 300 | 230 | 700 | 420 | 290 | 850 | 280 | 400 | 8/7.5/7 | 1240 | 2760/2445/2145 | 615/715/615 | 5/4/4 |
| R 500/300 GN3 | 14"12" | 500 | 300 | 800 | 550 | 350 | 850 | 280 | 400 | 12/11.5/11 | 1545 | 2760/2445/2145 | 615/715/615 | 5/4/4 |
| R 500/350 GN3 | 14"14" | 500 | 285 | 700 | 550 | 380 | 850 | 280 | 400 | 12/11.5/11 | 1545 | 2760/2445/2145 | 615/715/615 | 5/4/4 |
| R 510/200 GN3 | 10"8" | 400 | 270 | 700 | 450 | 325 | 850 | 280 | 400 | 10/9.5/9 | 1390 | 2760/2445/2145 | | |