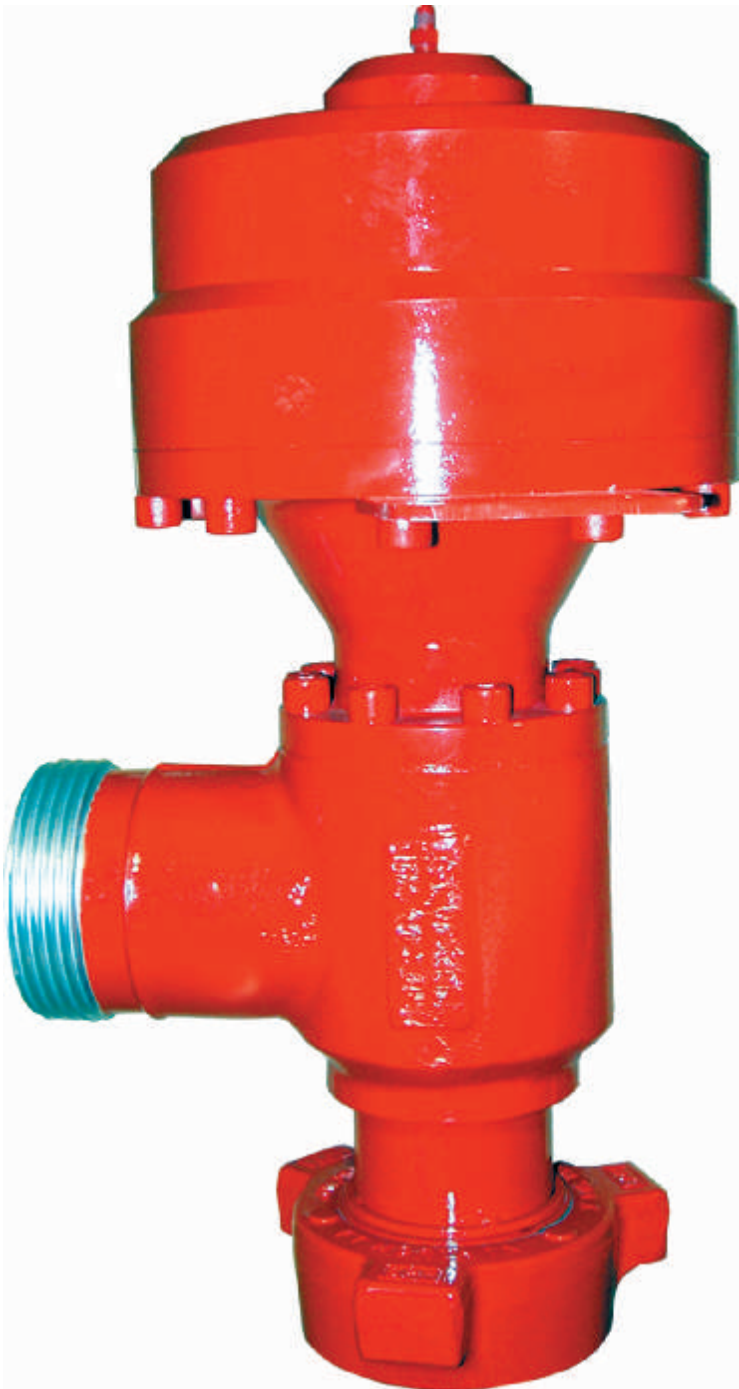
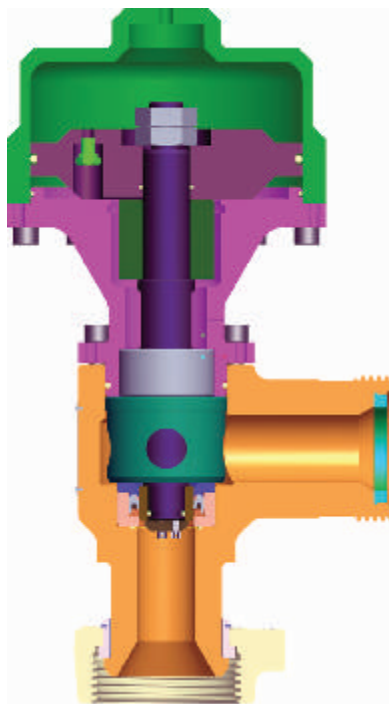




Emergency Back Pressure Relief Valve

Providing over-pressure protection for flow lines during well service applications.





The Emergency Back Pressure Relief Valve offers increased safety during high pressure pumping operations.

Nitrogen Actuated Emergency Back Pressure Relief Valve

Weir SPM's Emergency Back Pressure Relief Valve provides overpressure protection for reciprocating pumps, treating lines, pressure vessels, and other equipment operating under high pressure-high flow conditions. Compact and simple to operate, the valve is direct acting, relying on the system's hydraulic pressure to overcome a preset nitrogen gas force to relieve.

This valve is primarily intended for well service operations and is available in 3" and 4" sizes in pressure ratings of 6,000, 10,000, and 15,000 psi.

This valve creates a very flat back pressure curve with increased flow. This is important when little pressure rise can be tolerated over the set pressure. Typical accuracy for this device is 2%.

This model of relief valve is nitrogen actuated and requires a connection to a nitrogen bottle or compressed air during operation.

An estimated value of flow rate for this valve:

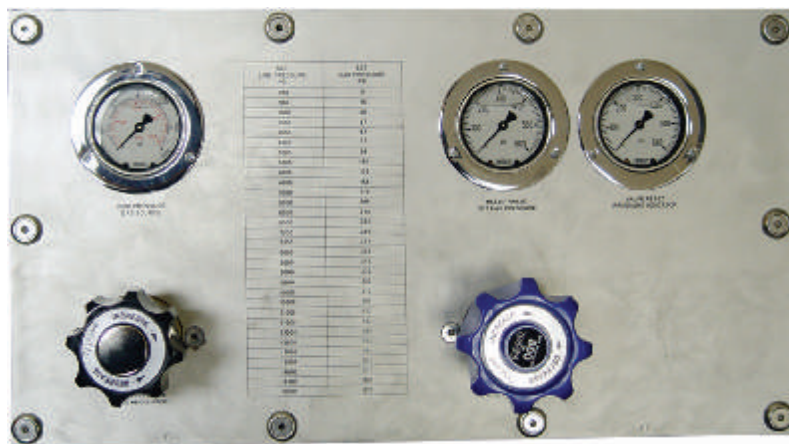
3" Back Pressure Valve 750 GPM (or more)
 4" Back Pressure Valve 750 GPM (or more)

The Emergency Back Pressure Relief Valve has been utilized in the field for several years and has performed with great results. As with all of Weir SPM's flow control products, this valve is manufactured under

strict quality standards, including ISO 9001 and DNV standards, and each valve is pressure tested before being delivered to the customer to ensure its proper working specifications.

Remote Control Panel

To maximize safety, Weir SPM's Remote Control Panel should be utilized along with the Emergency Back Pressure Relief Valve. The Remote Control Panel regulates the flow of rig air or nitrogen to the relief valve and allows the operator to change pressure relief settings with the turn of a knob at a safe distance from the flow line. The Remote Control Panel is also engraved with a quick reference chart for easy adjustment.



This valve will reseal once the system pressure reduces. Unlike many "High-Lift" Valves, which require a substantial drop in pressure before they will reseal, this valve exhibits little blowdown and will reseal at or near the "cracking pressure".

Weir SPM

7601 Wyatt Drive
 Fort Worth
 TX 76108
 USA

Tel: (817) 246 2461
 Fax (817) 246 6324

www.weiroilandgas.com

