



Excellent
Oil & Gas
Solutions



Cement Head

Weir Mesa offers reliable cement heads in various sizes and pressure ratings for superior performance in well service cementing operations.



Weir SPM cement heads provide customers with consistent and reliable operation, featuring high-pressure capable plug release pins and easy connection to casing.

Weir SPM has been providing the oilfield with reliable cement heads for decades. Utilizing superior field-tested welding techniques, Weir SPM cement heads provide high-pressure performance in a variety of designs to meet the needs of the industry. Featuring single or double plug head designs, easy-to-attach landing joints, and reliable plug pin performance, Weir SPM cement heads perform with consistency and reliability in the field.

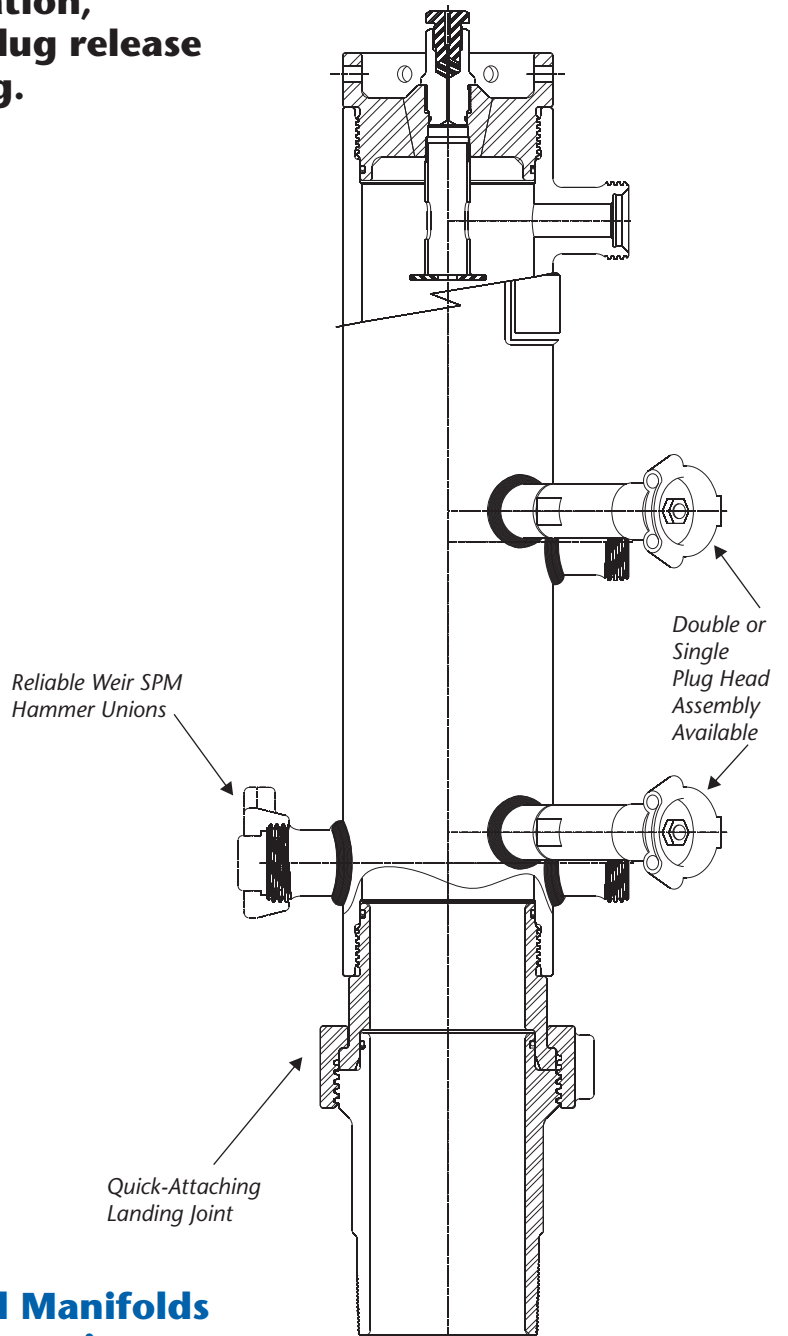
Weir SPM single or double plug head cement heads are available in the following sizes:

Single Head Design

<u>Part Number</u>	<u>Description</u>
2P28411	CEMENT HEAD - 2.875"
2P28413	CEMENT HEAD - 3.50"
2P28415	CEMENT HEAD - 4.50"
2P28417	CEMENT HEAD - 5.0" - 5.5"
2P28419	CEMENT HEAD - 7.0" - 7.63"
2P28421	CEMENT HEAD - 8.63" - 9.63"
2P28423	CEMENT HEAD - 10.75" - 11.75"
2P28425	CEMENT HEAD - 13.375"
2P28427	CEMENT HEAD - 16.0"
2P28429	CEMENT HEAD - 18.63" - 20.0"

Double Head Design

<u>Part Number</u>	<u>Description</u>
2P28412	CEMENT HEAD - 2.875"
2P28414	CEMENT HEAD - 3.50"
2P28416	CEMENT HEAD - 4.50"
2P28418	CEMENT HEAD - 5.0" - 5.5"
2P28420	CEMENT HEAD - 7.0" - 7.63"
2P28422	CEMENT HEAD - 8.63" - 9.63"
2P28424	CEMENT HEAD - 10.75" - 11.75"
2P28426	CEMENT HEAD - 13.375"
2P28428	CEMENT HEAD - 16.0"
2P28430	CEMENT HEAD - 18.63" - 20.0"



Weir SPM also offers Cement Head Manifolds in both threaded and integral connections.

Weir SPM

7601 Wyatt Drive
Fort Worth
TX 76108
USA

Tel: (817) 246 2461

Fax (817) 246 6324

www.weiroilandgas.com

